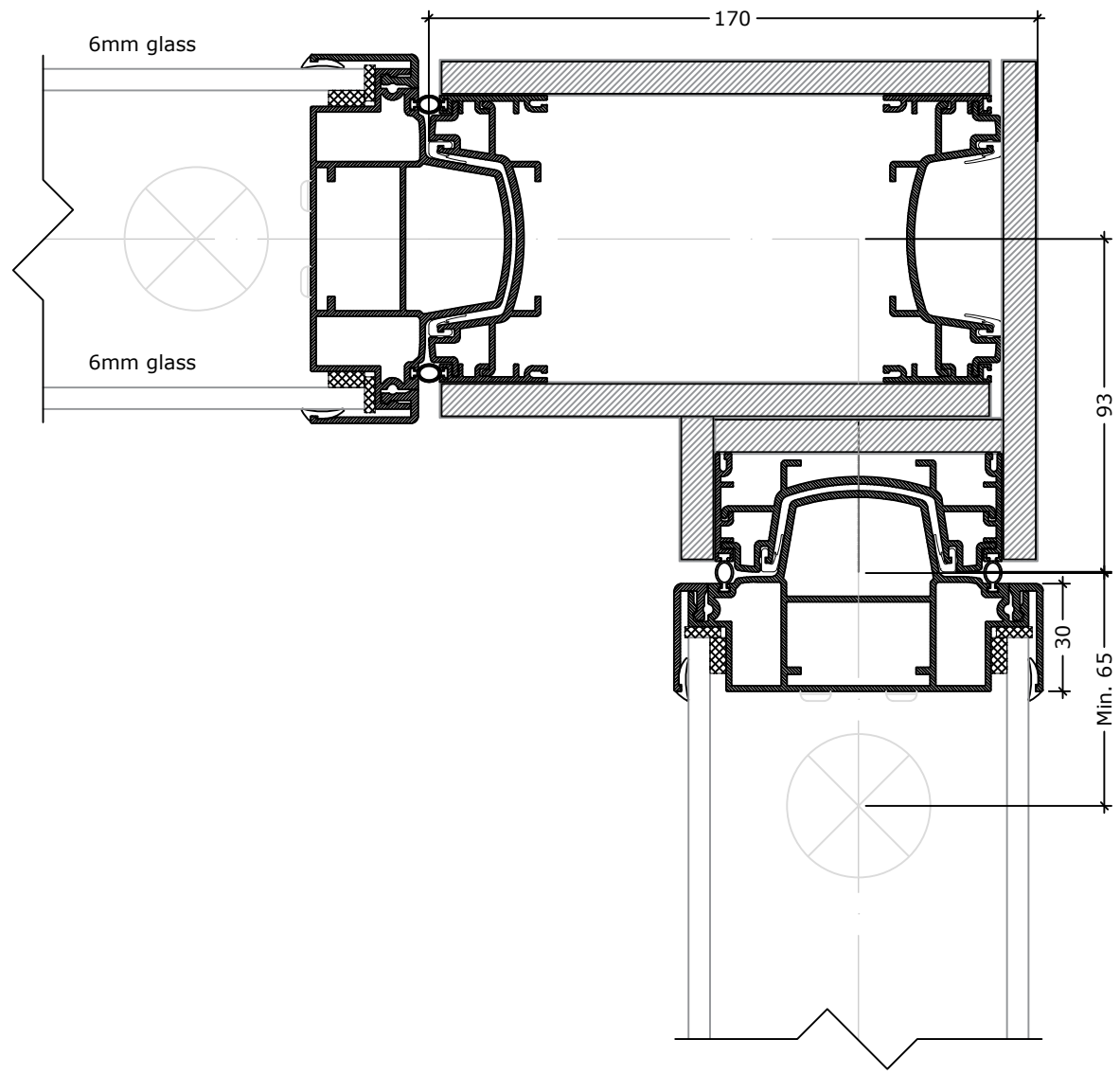

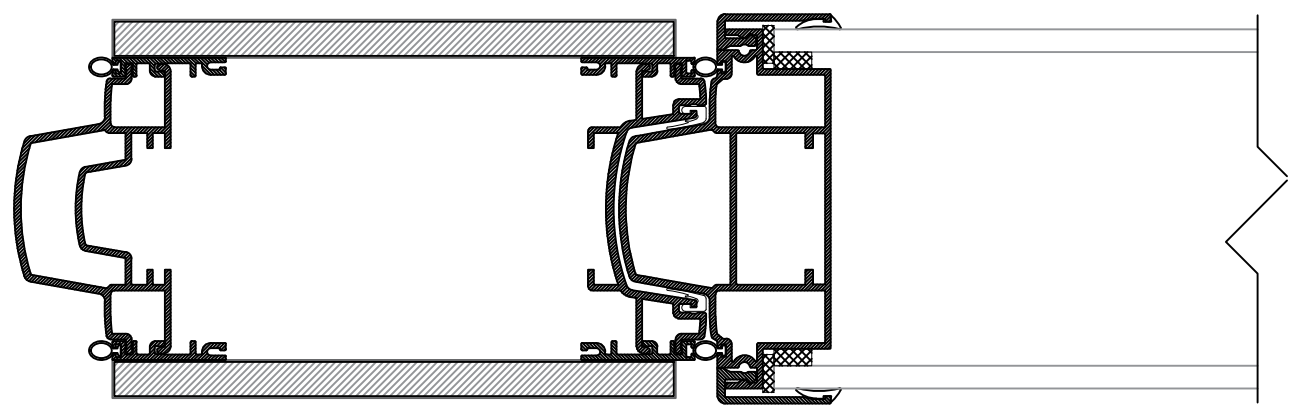
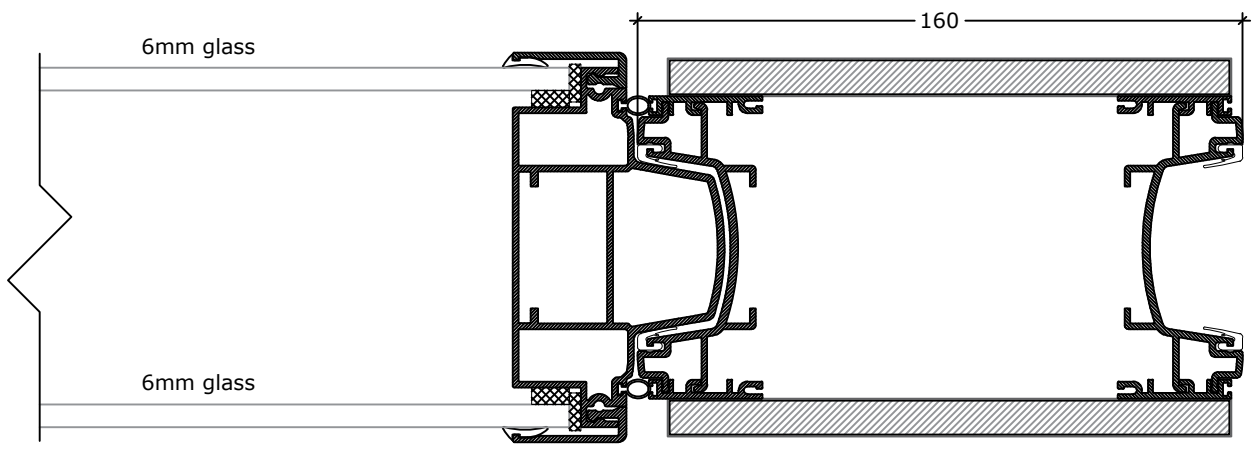

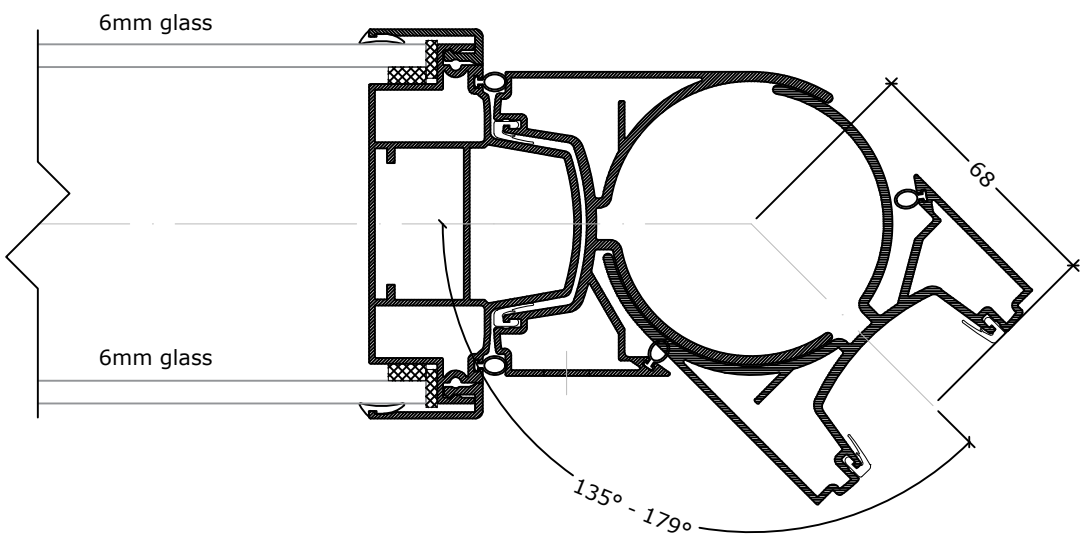
	<b>DEKO</b> Tlf./Tel: +45 43 55 77 11 www.deko.dk / www.deko.com		<b>Projekt/Project:</b> DEKO	
	<b>Sags Nr./Case No.:</b>	<b>Emne/Subject:</b> DEKO MV2 Glass 44 - Dorma Moveo MV2 Glass_V1A	<b>Dato/Date:</b> 2017-05-31	<b>Tegn. Nr. Sheet No.</b> 1/1
<b>Mål/Scale:</b> 1:2		<b>Revideret/Revision:</b> 2017-06-01-V01	<b>Signatur Signature</b> XX	




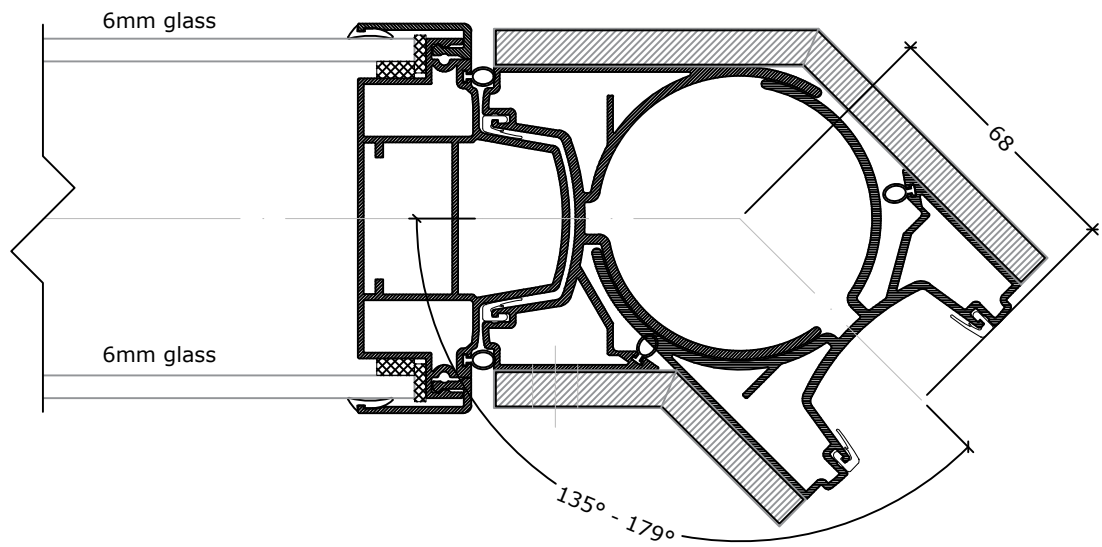
	<b>DEKO</b> Tlf./Tel: +45 43 55 77 11 www.deko.dk / www.deko.com		<b>Projekt/Project:</b> DEKO Glass element 90° corner	
	<b>Sags Nr./Case No.:</b>	<b>Emne/Subject:</b> DEKO MV2 Glass 44 - Dorma Moveo MV2 Glass_V1B		<b>Dato/Date:</b> 2017-05-31
<b>Mål/Scale:</b> 1:2			<b>Revideret/Revision:</b> 2017-06-01-V01	<b>Signatur Signature</b> XX



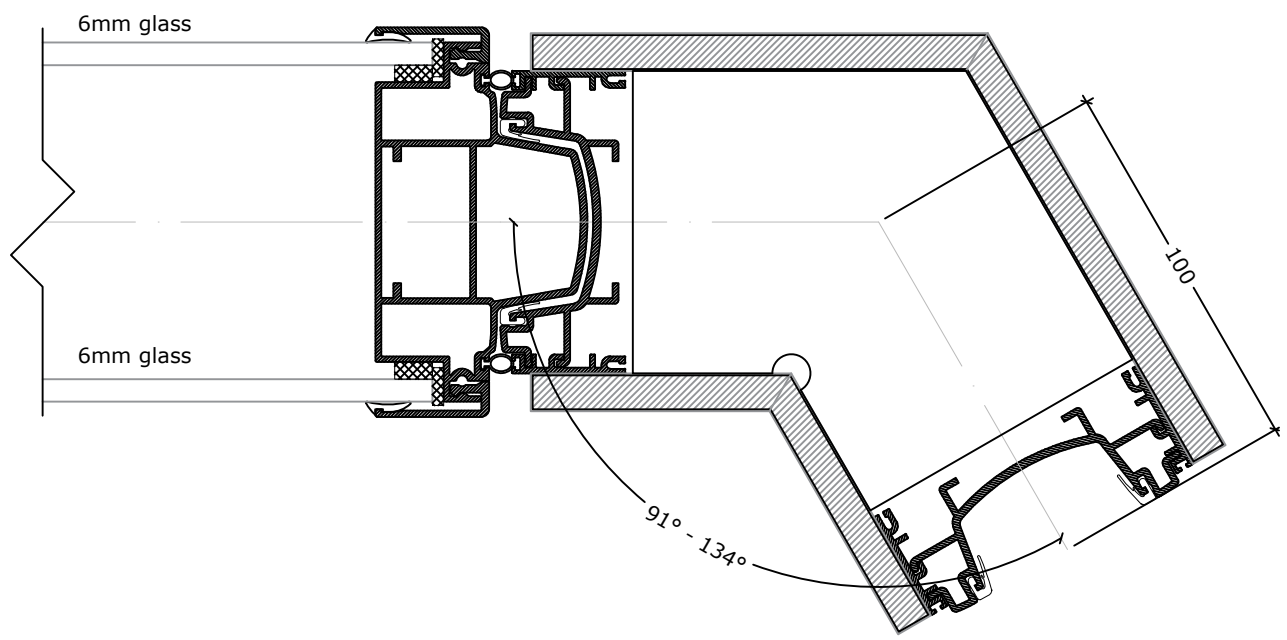
	<b>DEKO</b> Tlf./Tel: +45 43 55 77 11 www.deko.dk / www.deko.com		<b>Projekt/Project:</b> DEKO Glaselement with Extension	
	<b>Sags Nr./Case No.:</b>	<b>Emne/Subject:</b> DEKO MV2 Glass 44 - Dorma Moveo MV2 Glass_V1C		<b>Dato/Date:</b> 2017-05-31
<b>Mål/Scale:</b> 1:2			<b>Revideret/Revision:</b> 2017-06-01-V01	<b>Signatur Signature</b> XX




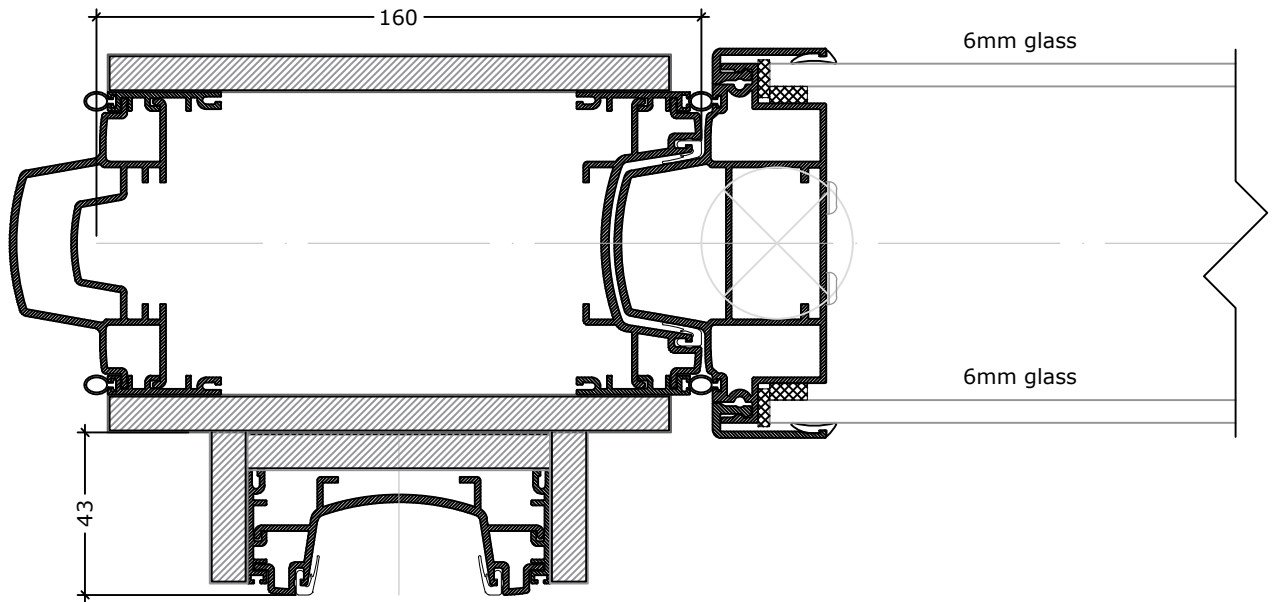
	<b>DEKO</b> Tlf./Tel: +45 43 55 77 11 www.deko.dk / www.deko.com		<b>Projekt/Project:</b> DEKO 135° - 179° connection	
	<b>Sags Nr./Case No.:</b>	<b>Emne/Subject:</b> DEKO MV2 Glass 44 - Dorma Moveo MV2 Glass_V1D		<b>Dato/Date:</b> 2017-05-31
<b>Mål/Scale:</b> 1:2			<b>Revideret/Revision:</b> 2017-06-01-V01	<b>Signatur Signature</b> XX



	<b>DEKO</b> Tlf./Tel: +45 43 55 77 11 www.deko.dk / www.deko.com		<b>Projekt/Project:</b> DEKO 135° - 179° connection	
	<b>Sags Nr./Case No.:</b>	<b>Emne/Subject:</b> DEKO MV2 Glass 44 - Dorma Moveo MV2 Glass_V1E		<b>Dato/Date:</b> 2017-05-31
<b>Mål/Scale:</b> 1:2			<b>Revideret/Revision:</b> 2017-06-01-V01	<b>Signatur Signature</b> XX



	<b>DEKO</b> Tlf./Tel: +45 43 55 77 11 www.deko.dk / www.deko.com		<b>Projekt/Project:</b> DEKO 91° - 134° connection	
	<b>Sags Nr./Case No.:</b>	<b>Emne/Subject:</b> DEKO MV2 Glass 44 - Dorma Moveo MV2 Glass_V1F		<b>Dato/Date:</b> 2017-05-31
<b>Mål/Scale:</b> 1:2			<b>Revideret/Revision:</b> 2017-06-01-V01	<b>Signatur Signature</b> XX



	<b>DEKO</b> Tlf./Tel: +45 43 55 77 11 www.deko.dk / www.deko.com		<b>Projekt/Project:</b> DEKO 180° extension with "T" connection	
	<b>Sags Nr./Case No.:</b>	<b>Emne/Subject:</b> DEKO MV2 Glass 44 - Dorma Moveo MV2 Glass_V1G		<b>Dato/Date:</b> 2017-05-31
<b>Mål/Scale:</b> 1:2			<b>Revideret/Revision:</b> 2017-06-01-V01	<b>Signatur Signature</b> XX