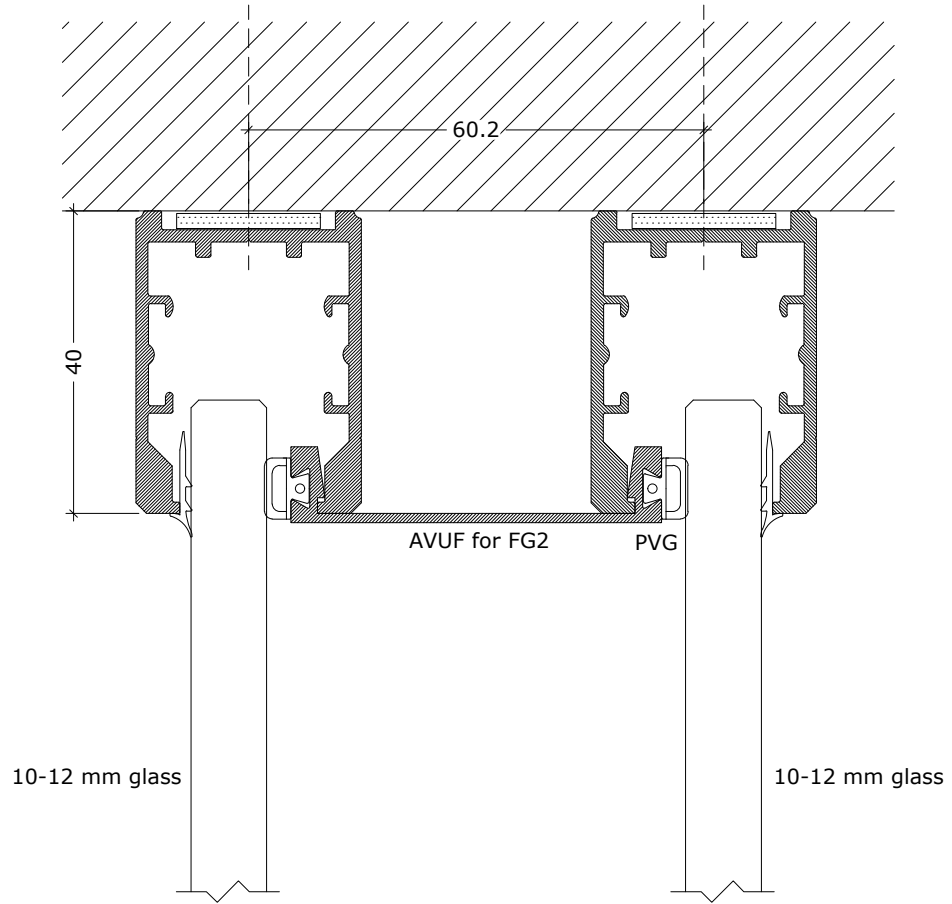

	<b>DEKO</b> Tlf./Tel: +45 43 55 77 11 www.deko.dk / www.deko.com		<b>Projekt/Project:</b> DEKO FG2 1090	
	<b>Sags Nr./Case No.:</b>	<b>Emne/Subject:</b> L1A detail Vertical section	<b>Dato/Date:</b> 2017-05-22	<b>Tegn. Nr. Sheet No.</b> 1/1
<b>Mål/Scale</b> 1:1		<b>Revideret/Revision:</b> 2017-05-22-V01	<b>Signatur Signature</b> EB	



	<b>DEKO</b> Tlf./Tel: +45 43 55 77 11 www.deko.dk / www.deko.com		<b>Projekt/Project:</b> DEKO FG2 1090	
	<b>Sags Nr./Case No.:</b>		<b>Dato/Date:</b> 2017-05-22	
<b>Mål/Scale</b> 1:1		<b>Emne/Subject:</b> L1B detail Vertical section		<b>Tegn. Nr. Sheet No.</b> 1/1
		<b>Revideret/Revision:</b> 2017-05-22-V01		<b>Signatur Signature</b> EB